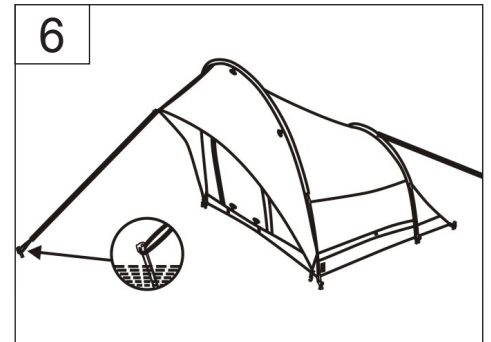
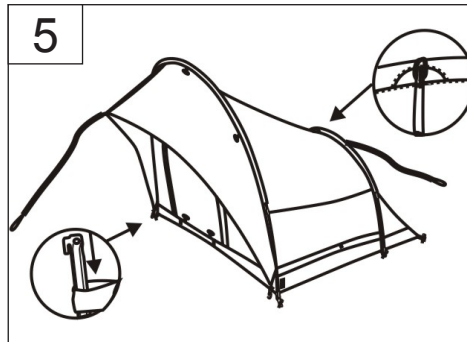
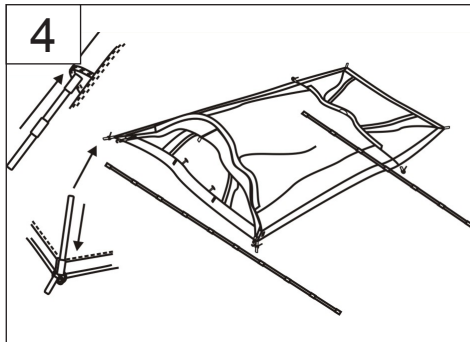
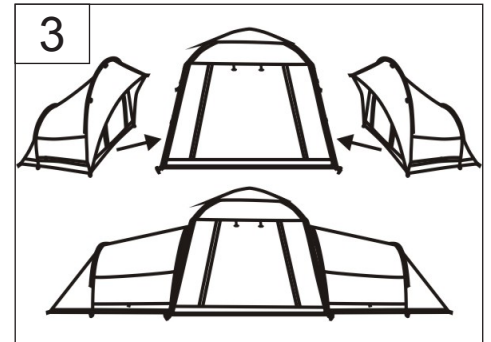
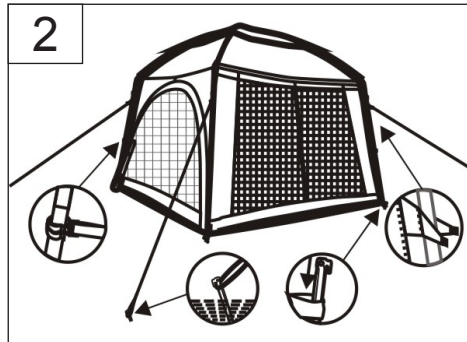
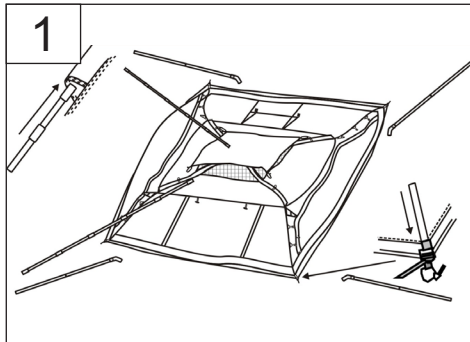
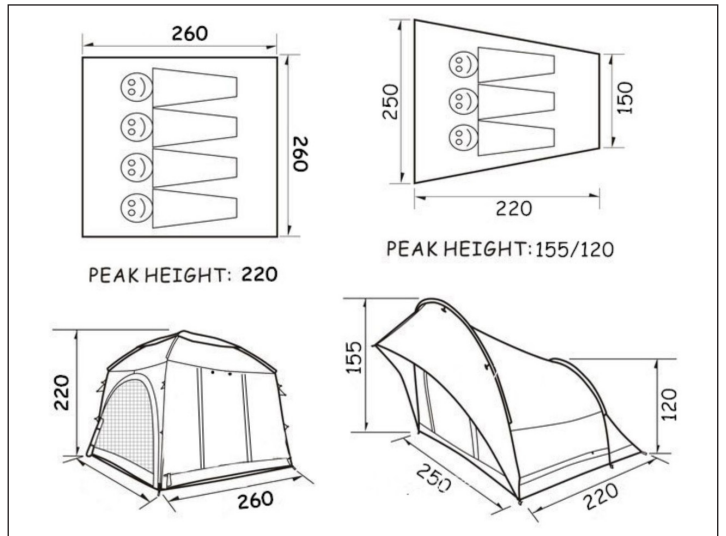


MULTISPACE

ART.-NR. 1976

skandika
outdoor

AUFBAUANLEITUNG · SET UP INSTRUCTION - INSTRUCTIONS DE MONTAGE



1x
 1x
 40x

20x
 1x

1.80m x 2 Assemble the steel by fitting the 4 sections together

1.73 meters steel X4 lines, 3 sections per line

3.14 meters X 2 lines, 5 sections per line

2x

3.45 meters X 2 lines, 7 sections per line (for green sleeves)

4.61 meters X 2 lines, 9 sections per line (for blue sleeves)

